

## DeLaval cooling tank DXCE and DXCEM Answering professional milk cooling demands



DeLaval cooling tank DXCE for small and medium farms.



### **Optimal cooling for best milk quality**

Milk cooling is more than the storage of milk at low temperature until the milk tanker arrives to collect it.

Dairy farmers and dairies demand high quality bulk tanks utilizing advanced cooling and cleaning techniques.

DeLaval offers the best in modern closed tank technology with the DeLaval cooling tank DXCE and DeLaval cooling tank DXCEM range.

Fast, effective milk cooling is the only way to retain optimal milk quality and command the highest milk prices from your dairy. These tanks use dimple plate evaporators which are designed and produced by us to safeguard quick cooling and short machine running time.

### **Precise and easy cleaning?**

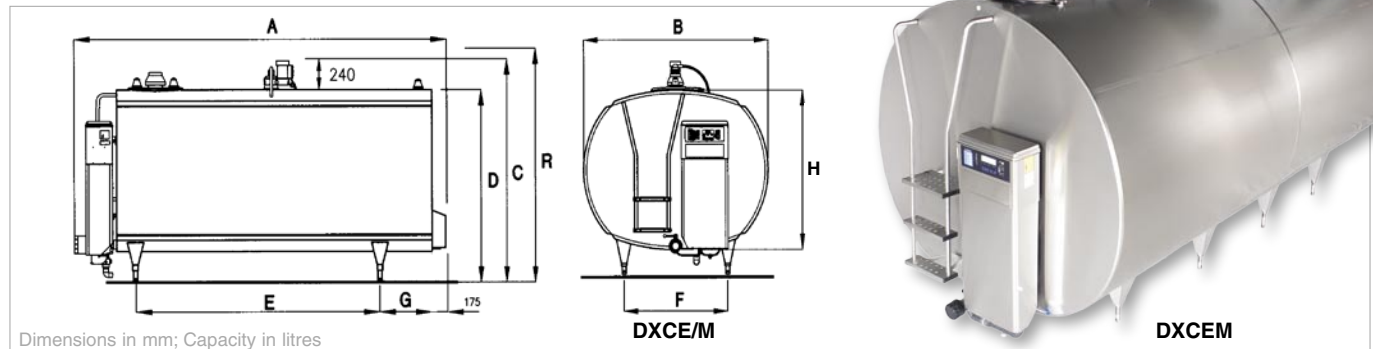
You get automatic cleaning at the touch of a button with any of our six different cleaning and control units. Choose one and equip it to any DeLaval DXCE or DeLaval DXCEM tank size.

### **Make the right choice**

DeLaval cooling tank DXCE is available now from 1150 till 12000 liters for small and medium farms. DeLaval cooling tank DXCEM is available from 14000 to 32000 liters and is suitable for large dairy farms. With different dimensions and shapes you can choose the best capacity for your farm and the right tank size for your existing milk room. The table on the back page can help you choose the model best suited to your farm.

## DeLaval cooling tank DXCE and DXCEM

Find the correct size according to your capacity requirements.



Dimensions in mm; Capacity in litres

Milk tank capacity	Milk tank model	Total length	Total width	Min. height	Min. height +3%	Height tank +feet	Feet dist. length	Feet dist. width	Dist. feet to rear end	Height tank body	K	L	P
		A	B	C	R	D	E	F	G	H			
1150	DXCE	1950	1400	1540	1549	1351	1015	830	200	1080	1	4	1
1300	DXCE	2115	1400	1536	1545	1351	1080	830	250	1080	1	4	1
1600	DXCE	2445	1400	1535	1539	1351	1410	830	250	1080	1	4	1
2000	DXCE	2885	1400	1535	1538	1351	1850	830	250	1080	1	4	1
2500	DXCE	3435	1400	1536	1546	1351	2400	830	250	1080	1	4	1
3000	DXCE	2435	1800	1889	1895	1704	1290	1070	350	1480	2	4	1
3500	DXCE	2735	1800	1889	1891	1704	1590	1070	350	1480	2	4	1
4000	DXCE	3035	1800	1889	1893	1704	1890	1070	350	1480	2	4	1
4500	DXCE	3335	1800	1889	1895	1704	2190	1070	350	1480	2	4	1
5000	DXCE	3105	2000	2002	2006	1824	1870	1035	500	1539	2	4	1
6000	DXCE	3585	2000	2002	2013	1824	2350	1035	500	1539	2	4	1
6750	DXCE	3900	2000	2000	2016	1813	2522	1035	491	1539	2	4	1
7500	DXCE	4220	2000	2023	2023	1814	1650	1035	200	1539	2	6	1
8000	DXCE	4550	2000	2052	2031	1820	1810	1035	200	1539	2	6	1
8001	DXCE	3900	2150	2222	2209	1955	1435	1300	350	1748	2	6	1
8600	DXCE	4155	2150	2214	2233	2045	1500	1300	350	1748	4	6	1
9700	DXCE	4555	2150	2234	2253	2096	1700	1300	350	1748	4	6	1
11000	DXCE	5105	2150	2236	2247	2096	1315	1300	350	1748	4	8	1
12000	DXCE	5555	2150	2236	2254	2096	1465	1300	350	1748	4	8	1
12001	DXCE	4480	2270	2639	2657	2371	950	1300	575	2027	2	8	1
14000	DXCEM	5215	2270	2635	2628	2353	1148	1300	542	2027	4	8	2
16000	DXCEM	5855	2270	2643	2645	2391	1020	1300	610	2027	4	10	2
16001	DXCEM	4483	2522	2977	2996	2706	1460	1400	540	2400	2	10	2
18000	DXCEM	6495	2270	2643	2651	2392	1148	1300	676	2027	4	10	2
20000	DXCEM	5550	2522	3121	3123*	2950	980	1400	540	2400	4	10	2
24000	DXCEM	6550	2522	3121	3133*	2950	1230	1400	540	2400	4	10	2
32000	DXCEM	8550	2522	3185	3187*	3035	1384	1400	540	2400	4	12	2

K = Number of evaporators

L = Number of feet

P = Number of agitators

\* Only available in North America